



# Pomp & Stripes Hoodie

WR2000



Designed by Sara Louise Harper.

Directions are for child's size 2; changes for child's sizes 4, 6, and 8 are in parentheses.

Finished chest measurement: 27 (30, 32, 34)".

Finished length measurement: 15 (17, 17, 18)".

RED HEART® "Stripes™": 3 (4, 5, 6) balls 940 Passion Stripes A.

RED HEART® "Pomp-a-Doodle™": 2 balls 9930 Plush Plum B.

**Knitting Needles:** 5.5mm [US 9].

**Circular Knitting Needles:** 5.5mm [US 9] – 24".  
Stitch holder, yarn needle.

**GAUGE:** 16 sts = 4"; 22 rows = 4" in St st with A. **CHECK YOUR GAUGE. Use any size needles to obtain the gauge.**

## HOODIE

### Back

With A, cast on 56 (62, 66, 70) sts. Work in St st until 7½ (9, 8½, 9½)" from beginning, end P row.

### Shape Armhole

Bind off 8 sts at beginning of next 2 rows – 40 (46, 50, 54) sts. Work even until armhole measures 6½ (7, 7½, 7½)", end P row.

### Shape Shoulders

Bind off 11 (13, 15, 16) sts at beginning of next 2 rows – 18 (20, 20, 22) sts. Slip remaining sts to a stitch holder.

### Front

Work same as for Back until armhole measures 4 (4½, 5, 5)", end P row.

### Divide for Neck

K14 (17, 19, 20), join 2nd ball of A and bind off center 12 (12, 12, 14) sts, Knit to end of row.

Working both sides at the same time with separate balls of yarn, bind off 2 sts at each neck edge once, then dec 1 st at each neck edge every other row 1 (2, 2, 2) times – 11 (13, 15, 16) sts each side.

Work even until same length as Back to shoulders. Bind off.

### Sleeves

With A, cast on 34 sts. Work in St st, shaping sides by inc 1 st each end of every 4th row 8 (10, 12, 12) times, then every 6th row once – 52 (56, 60, 60) sts. Work even until 12 (13, 14, 15)" from beginning, end P row. Bind off. Allow cuff to roll slightly.

### Finishing

Sew shoulder seams.

### Hood

With right side facing and circular needle, leaving center bound-off sts of Front neck free, join A at Front neck edge, pick up and K11 (12, 14, 15) sts up right neck edge, K across 18 (20, 20, 22) sts from Back holder, pick up and





K11 (12, 14, 15) sts down left neck edge – 40 (44, 48, 52) sts. Work back and forth in St st until 8½ (9, 9½, 10)” from pick-up row. Bind off.

Fold bound-off row of Hood in half and sew together.

**Note:** For best results when using Pomp-A-Doodle yarn, work with the yarn between the pom poms and do not pull the pom pom through the stitch on the needle.

**Hood Edging**

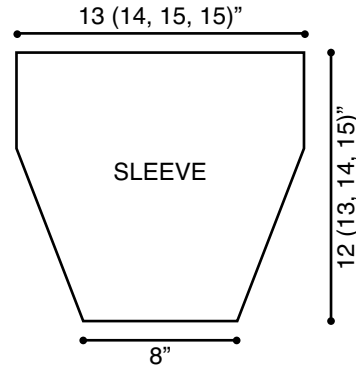
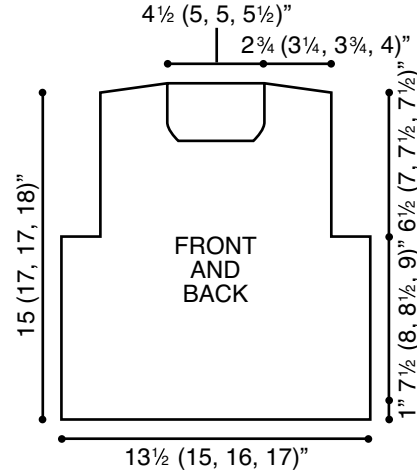
With right side facing, circular needle and **A**, pick up and K68 (76, 82, 90) sts around edge of Hood. Work back and forth in St st for 8 (8, 10, 10) rows. Join B and K4 rows dec 14 (16, 18, 18) evenly on first row – 54 (60, 64, 72) sts. Bind off loosely.

Sew hood edging to bound-off sts of Front neck edge so that each side meets at center.

Sew in Sleeves, sewing last 2” of Sleeve to bound-off edge of Armhole shaping. Sew side and Sleeve seams.

**Lower Edge Trim**

With wrong side facing, circular needle and **B**, pick up and K82 (92, 98, 104) sts around entire lower edge. Knit 3 rounds. Bind off. Weave in ends.



**RED HEART® “Stripes™”,**  
Art. E760 available in 3.5oz (100g),  
170yd (155m) balls.



**RED HEART® “Pomp-a-Doodle™”,**  
Art. E765 available in 3.5oz (100g),  
54yd (50m) balls.

**ABBREVIATIONS:** **A, B** = yarn A, B; **dec** = decrease; **inc** = increase; **K** = knit; **mm** = millimeters; **P** = purl; **St st** = Stockinette stitch (Knit on right side rows; Purl on wrong side rows.); **st(s)** = stitch(es).

